

## iQ300, built-in fridge-freezer with freezer at bottom, 177.2 x 54.1 cm, flat hinge KI86VVFE0



Built-in refrigerator-freezer with hyperFresh to keep fruit and vegetables fresh longer and LED lights for brilliant illumination of the fridge's interior.

- ✓ hyperFresh – The extra-large drawer for your fruit and vegetables.
- ✓ LED light – Ample, even lighting helps you check what's in your fridge faster.
- ✓ Less icing saves energy and effort for defrosting – lowFrost.
- ✓ autoAirflow – Even cooling keeps food fresh for longer.
- ✓ The bigBox offers plenty of space to store and stack large frozen items efficiently.

### Features

#### Technical Data

Energy Efficiency Class: E  
 Average annual energy consumption in kilowatt hour per year (kWh/a): 229 kWh/annum  
 Sum of volume of frozen compartments: 84 l  
 Sum of volume of chill compartments: 183 l  
 Airborne acoustical noise emissions : 35 dB(A) re 1 pW  
 Airborne acoustical noise emission class: B  
 Built-in / Free-standing: Built-in  
 Door panel options: Not possible  
 Height: 1772 mm  
 Width of the appliance: 541 mm  
 Depth of the product: 548 mm  
 Min. required niche size for installation (HxWxD): 1775.0 x 560 x 550 mm  
 Net weight: 53.2 kg  
 Fuse protection: 10 A  
 Door hinge: Right reversible  
 Voltage: 220-240 V  
 Frequency: 50 Hz  
 Length electrical supply cord: 230 cm  
 Number of compressors: 1  
 Number of independent cooling systems: 1  
 Interior ventilator: No  
 Reversible Door Hinge: Yes  
 Number of Adjustable Shelves in fridge compartment: 3  
 Shelves for Bottles: No  
 Frost free system: No  
 Installation typology: Full-integrated  
 Type of hinge: Flush-folding

#### Included accessories

- 3 x egg tray
- 1 x ice cube tray



**iQ300, built-in fridge-freezer with  
freezer at bottom, 177.2 x 54.1 cm, flat  
hinge  
KI86VVFE0**

#### Features

- KI86VVFE0
- easy Installation

#### Performance and consumption

##### Design and Styling

- LED interior light in fridge section

##### Convenience & Safety

- LED electronic control
- 1 compressor/1 cold circuit
- Super Cooling: No
- Super Freezing: manual activation
- Acoustic alarm if door left open

##### Fridge Compartment

- 4 safety glass shelves, thereof 3 height adjustable, Standard
- 1 door bin(s) high
- 3 door bins, thereof 1 door bin(s) high

##### Freshness System

- 1 hyperFresh box with adjustable humidity - keeps fruit and vegetables fresh for longer.

- 

##### Freezer Section

- 3 transparent freezer drawers, incl.1 big box

##### Dimensions

- Appliance Dimensions ( H x W x D): 177.2 cm x 54.1 cm x 54.8 cm
- Niche Dimension (H x W x D): 177.5 cm x 56.0 cm x 55.0 cm

##### Technical Information

- Door right hinged, reversible
- Nominal voltage: 220 - 240 V

##### Accessories

- egg tray
- ice cube tray
- egg tray
- ice cube tray

##### Country Specific Options

- Based on the results of the standard 24-hour test. Actual consumption depends on usage/position of the appliance.

##### Environment and Safety

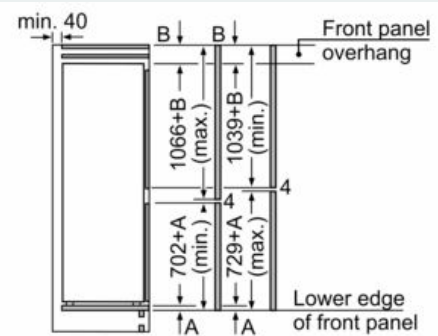
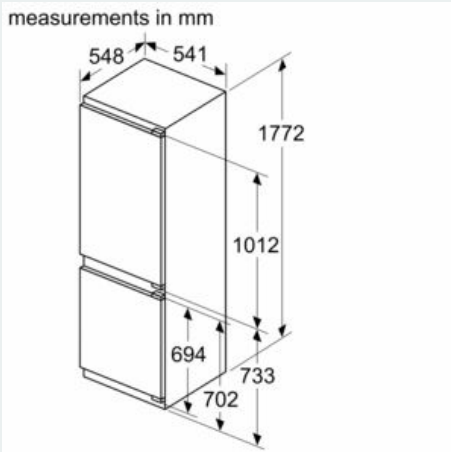
##### Installation

##### General Information

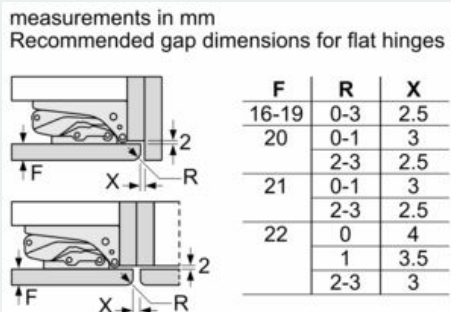
- EU19\_EEK\_D: E
- Total Volume : 267 l
- Net Fridge Volume : 183 l
- Net Freezer Volume : 84 l
- Freezing capacity 24h: 4.2 kg
- Annual Energy Consumption: EU19\_Annual energy cons rd\_D: 229 kWh/a
- Climate Class: SN-ST
- Fast Freeze Facility
- Noise Level : 35 dB , EU19\_Noise emission class\_D: B
- Temperature rise time : 9 H

iQ300, built-in fridge-freezer with freezer at bottom, 177.2 x 54.1 cm, flat hinge  
KI86VFE0

Dimensioned drawings



The specified unit door dimensions are valid for a door gap of 4 mm.  
measurements in mm



The gap dimensions recommended in the table must be adhered to in order to ensure that appliance doors do not collide with anything when they are opened, and to avoid causing damage to kitchen units.

