

## IQ300, Washing machine, front loader, 8 kg, 1400 rpm WM14N208GB



Outstanding washing performance with iQdrive motor and smartFinish program to reduce wrinkles.

- ✓ speedPack L – Speed up your programmes, or wash in just 15 minutes.
- ✓ Best Energy Efficiency label A - Our most energy-efficient washing machine.
- ✓ smartFinish: smooth away creases to cut down on ironing.
- ✓ LED simple touch display - easy to use and shows all relevant information clearly
- ✓ Outdoor/ Waterproofing programme – Protects waterproof textiles.

### Features

#### Technical Data

Energy Efficiency Class: .....A  
 Weighted energy consumption in kWh per 100 washing cycles of eco 40-60 programme: .....46 kWh  
 Maximum capacity in kg: .....8.0 kg  
 The water consumption of the eco programme in liters per cycle: 47 l  
 Duration of eco 40-60 programme in hours and mins at rated capacity: ..... 3:33 h  
 Spin-drying efficiency class of eco 40-60 programme: ..... B  
 Airborne acoustical noise emission class: .....A  
 Airborne acoustical noise emissions : ..... 72 dB(A) re 1 pW  
 Built-in / Free-standing: ..... Freestanding  
 Dimensions of the product: ..... 845 x 598 x 590 mm  
 Weight: ..... 70.0 kg  
 Connection Rating: ..... 2300 W  
 Fuse protection: ..... 10 A  
 Nominal power: ..... 220-240 V  
 Frequency: ..... 50 Hz  
 Length electrical supply cord: ..... 210.0 cm  
 Door hinge: ..... Left  
 Wheels: ..... No  
 EAN code: ..... 4242003938898  
 Installation type: ..... Freestanding



### Optional accessories

- |          |  |
|----------|--|
| WX975600 | Floor securing component                 |
| WZ10131  | Extension for cold water inlet /Aquastop |
| WZWP20W  | Platform with pull-out, washer, cubic    |

## IQ300, Washing machine, front loader, 8 kg, 1400 rpm WM14N208GB

### Features

#### Performance

- Energy Efficiency Class<sup>1</sup>: A
- Energy<sup>2</sup> / Water<sup>3</sup>: 46 kWh / 47 litres
- Load capacity: 1 - 8 kg
- Programme duration<sup>4</sup>: 3:33 h:min
- Spin drying efficiency class: B
- Spin speed<sup>\*\*</sup>: 0 - 1400 rpm
- Noise level: 72 dB (A) re 1 pW
- Noise efficiency class: A

#### Programmes/functions

- Standard programmes: cottons, easy care, delicates, wool hand wash
- Special programmes: Dark Wash, shirts/blouses, textile guard re-proofing programme, mixed fabrics, rapid 15 minute quick wash, drum clean with reminder, wool/handwash, delicates/silk

#### Key features

- varioSpeed: Up to 65% reduced washing cycle \*\*\*
- Touch control buttons: prewash, Ready in, temperature selection, Night Wash / Silent Wash, varioSpeed, start/pause with reload function, spin speed selection

#### Additional features

- Reload Function: Stop the washing machine to add any forgotten items of laundry to the drum.
- Usage meter: counts completed programmes
- Drum volume: 65 litres
- Aqua Protection
- Fully electronic control dial for all wash and special programmes
- antiVibration Design - for more stability and quietness
- iQdrive with 10 year warranty
- EcoSilence drive with 10 year warranty
- waterPerfect Plus: for efficient use of water even with small loads thanks to intelligent sensor technology.
- Foam detection system
- Out of balance load adjustment
- No
- End of cycle buzzer
- Electronic child safety package
- Divider for Liquid Detergent
- Large black-black door with 171° opening and 32cm porthole opening
- metal door catch
- Magnet door lock

#### Technical Information

- Slide-under installation
- Dimensions (H x W): 84.5 cm x 59.8 cm
- Appliance depth: 59.0 cm
- Appliance depth incl. door: 63.3 cm
- Appliance depth with open door: 106.3 cm

<sup>1</sup> Scale of Energy Efficiency Classes from A to G

<sup>2</sup> Energy consumption in kWh per 100 cycles (in programme Eco 40-60)

<sup>3</sup> Weighted water consumption in litres per cycle (in programme Eco 40-60)

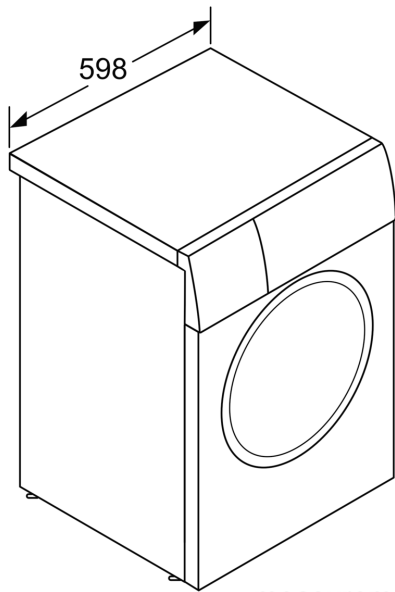
<sup>4</sup> Duration of Eco 40-60 programme

\*\* Values are rounded.

\*\*\* Comparison between the program duration of Easy-care 40°C and the program duration of Easy-care 40°C + activated varioSpeed option

**IQ300, Washing machine, front loader, 8 kg, 1400 rpm  
WM14N208GB**

Dimensioned drawings



measurements in mm



measurements in mm