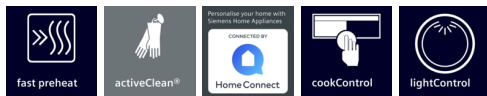


iQ500, Built-in oven, 60 x 60 cm, Stainless steel HB578A0S6



Shorten your cooking time thanks to fast preheat, coolStart and activeClean®. And remote your oven from anywhere with Home Connect.

- ✓ fastPreheat – Heat the oven quickly. coolStart – Eliminate preheating for frozen foods.
- ✓ activeClean® – The automatic, self-cleaning oven system.
- ✓ Home Connect – Experience the intelligent kitchen via app.
- ✓ Automatic programs ensure best results - cookControl30.
- ✓ Intuitive operation thanks to the illuminated knob - lightControl.

Features

Technical Data

Color / Material Front : Stainless steel
 Built-in / Free-standing : Built-in
 Integrated Cleaning system : Pyrolytic
 Required niche size for installation (HxWxD) : 585-595 x 560-568 x 550 mm
 Dimensions : 595 x 594 x 548 mm
 Dimensions of the packed product (HxWxD) : 675 x 690 x 660 mm
 Control Panel Material : Glass
 Door Material : Glass
 Net weight : 38.4 kg
 Usable volume of cavity : 71 l
 Heating modes : : Deep-frozen food special, Full width grill, Gentle heating, Hot Air, Hotair gentle, Hot air grilling, Pizza setting, Top/ bottom heat
 First cavity material : Other
 Oven control : electronic
 Number of interior lights : 1
 Approval certificates : CE, VDE
 Length electrical supply cord : 120 cm
 EAN code : 4242003859339
 Number of cavities (2010/30/EC) : 1
 Energy efficiency class (2010/30/EC) : A
 Energy consumption per cycle conventional (2010/30/EC) : 0.99 kWh/ cycle
 Energy consumption per cycle forced air convection (2010/30/EC) : 0.81 kWh/cycle
 Energy efficiency index (2010/30/EC) : 95.3 %
 Connection Rating : 3600 W
 Fuse protection : 16 A
 Voltage : 220-240 V
 Frequency : 50; 60 Hz
 Plug type : Gardy plug w/ earthing

Included accessories

- 1 x combination grid
- 1 x universal pan

Optional accessories

HZ915003 : Glass roasting dish, 5,4 L , HZ638300 : 3 level telescopic rails, full ext , HZ638200 : 2 level telescopic shelf rails, full ext , HZ634000 : Baking and roasting grid (standard) , HZ538500 : 3level telescopic rails incl 1 varioClip , HZ538200 : 2 level telescopic shelf rails , HZ538000 : varioClip rail , HZ532010 : Universal pan, non-stick ceramic coated , HZ532000 : Multipurpose pan, grey enamelled , HZ531010 : Baking tray, non-stick ceramic coated , HZ531000 : Baking tray, grey enamelled , HZ327000 : Baking stone , HZ317000 : Pizza pan, grey enamelled



iQ500, Built-in oven, 60 x 60 cm, Stainless steel HB578A0S6

Features

Type of oven / heating system:

- Oven with 8 heating methods: 3D hotAir Plus, Conventional heat, hotAir grilling, Full width grill, Pizza setting, coolStart, Gentle heating, hotAir gentle
- Temperature range 30 °C - 275 °C
- Cavity volume: 71 l

Hook-in racks / rails

- Number of shelf levels: 5 PC
- varioClip rails Plus, with Stop function

Design:

- lightControl: illuminated knob
- Rotary Control
- Cavity inner surface: enamel grey

Cleaning:

- activeClean®
- Full glass inner door

Comfort:

- LCD Display (white)
- electronic clock
- Temperature proposal
- automatic start Optical temperature control
- cookControl 30
- Bar handle
- Supporting systems: Programs
- fastPreheat
- coolStart
- Halogen interior lighting, Independent oven interior light button
- Integral cooling fan
- HomeConnect ready on Wi-Fi

Accessory:

- combination grid, universal pan

Environment and Safety:

- Very low door temperature
- Low door temperature during pyrolytic cleaning
- Quadruple glazed door with heat reflective glass glazed CoolTouch door
- Automatic door lock during pyrolysis
- Child lock Residual heat indicator Door contact switch

Technical Information

- Length of mains cable: 120 cm
- Nominal voltage: 220 - 240 V
- Total connected load electric: 3.6 KW
- Energy efficiency rating (acc. EU Nr. 65/2014): A(at a range of energy efficiency classes from A+++ to D)
- Energy consumption per cycle in conventional mode:0.99 kWh
- Energy consumption per cycle in fan-forced convection mode:0.81 kWh
- Number of cavities: 1 Heat source: electrical Cavity volume:71 l
-

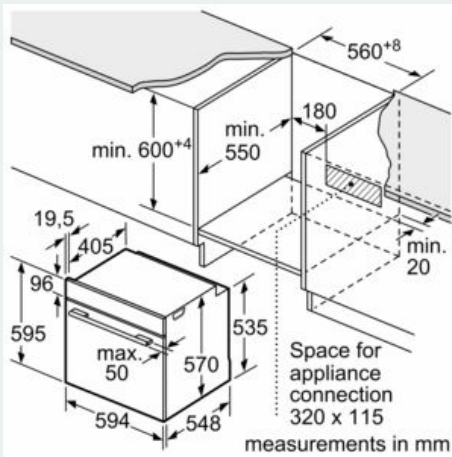
Dimensions:

- Appliance dimension (hxwxh): 595 mm x 594 mm x 548 mm
- Niche dimension (hxwxh): 585 mm - 595 mm x 560 mm - 568 mm x 550 mm

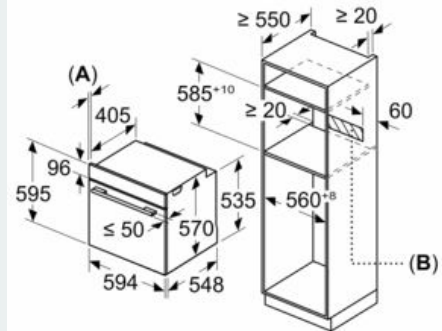
- "Please reference the built-in dimensions provided in the installation drawing"
- We recommend you to choose complementary products within IQ500, in order to assure an optimal design combination of your Built-In appliances.

**iQ500, Built-in oven, 60 x 60 cm,
Stainless steel
HB578A0S6**

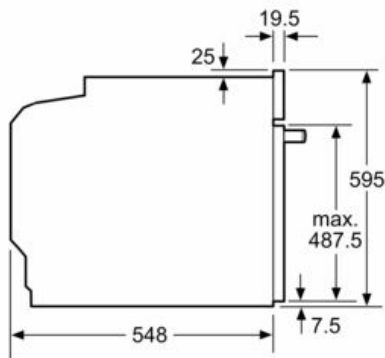
Dimensioned drawings



Measurements in mm

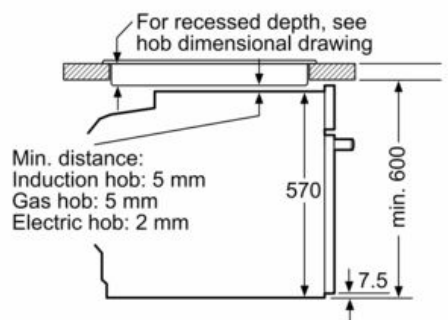


- A:** 19.5 mm
- B:** Space for appliance connection 320 x 115 mm



measurements in mm

Installation with a hob.



- Min. distance:
- Induction hob: 5 mm
- Gas hob: 5 mm
- Electric hob: 2 mm

measurements in mm