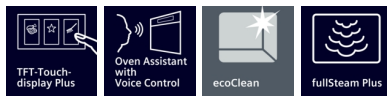


## iQ700, Built-in compact oven with steam function, 60 x 45 cm, Black CS736G1B1



The intelligent fullSteam Plus oven with Oven Assistant with Voice Control for intuitive programme setting.

- ✓ TFT-Touchdisplay Plus – Smooth-touch navigation for simple and intuitive operation.
- ✓ Oven Assistant with Voice Control – Intuitively set the right programme.
- ✓ Cut down on oven cleaning – ecoClean.
- ✓ humidClean Plus - For fast cleaning dirt is softened beforehand by vaporizing soapy water. It can then be removed more easily.
- ✓ fullSteam Plus – Fast and healthy steam-cooking.

### Features

#### Technical Data

Color / Material Front : Black  
 Built-in / Free-standing : Built-in  
 Door opening : Drop down  
 Required niche size for installation (HxWxD) : 450-455 x 560-568 x 550 mm  
 Dimensions : 455 x 594 x 548 mm  
 Dimensions of the packed product (HxWxD) : 520 x 650 x 710 mm  
 Control Panel Material : Glass  
 Door Material : Glass  
 Net weight : 34.9 kg  
 Approval certificates : CE, VDE  
 Length electrical supply cord : 150 cm  
 EAN code : 4242003901441  
 Fuse protection : 16 A  
 Voltage : 220-240 V  
 Frequency : 50; 60 Hz  
 Plug type : Gardy plug w/ earthing  
 Approval certificates : CE, VDE  
 Number of cavities (2010/30/EC) : 1  
 Usable volume (of cavity) - NEW (2010/30/EC) : 47 l  
 Energy efficiency class (2010/30/EC) : A+  
 Energy consumption per cycle conventional (2010/30/EC) : 0.73 kWh/cycle  
 Energy consumption per cycle forced air convection (2010/30/EC) : 0.61 kWh/cycle  
 Energy efficiency index (2010/30/EC) : 81.3 %  
 Included accessories : 1 x grid, 1 x universal pan, 1 x steam container, punched, size XL, 1 x Steam container, punched, size M, 1 x Steam container, unpunched, size M

#### Included accessories

1 x grid, 1 x universal pan, 1 x steam container, punched, size XL, 1 x Steam container, punched, size M, 1 x Steam container, unpunched, size M

#### Optional accessories

HZG0AS00 Connecting cable 3m



## iQ700, Built-in compact oven with steam function, 60 x 45 cm, Black CS736G1B1

### Features

#### Type of oven / heating system:

- Compact steam oven with 21 heating methods: #4D hotAir, Conventional heat, hotAir grilling, Full width grill, Half width grill, Pizza setting, coolStart, Bottom heat, Gentle heating, Plate warming setting, Keep warm, hotAir gentle, Conventional heat gentle, Steam, Regeneration with steam, Fermentation with steam, Defrost with steam, hotAir grilling + steam, warming + steam, 4D hotAir + steam, Top/bottom heat + steam
- Temperature range 30 °C - 250 °C
- fullSteam Plus
- Cavity volume: 47 l

#### Hook-in racks / rails

- Number of shelf levels: 3 PC
- Telescopic shelf rails as optional accessory

#### Design:

- Touchcontrol
- Cavity inner surface: enamel anthracite

#### Cleaning:

- ecoClean: coating of back panel
- humidClean Plus
- Full glass inner door

#### Comfort:

- Oven Assistant with Voice Control
- TFT-Touchdisplay Plus
- electronic clock
- Temperature proposal
- Actual temperature display Optical temperature control
- Drop down door, softMove for gentle opening and closing of the oven door
- cookControl Plus
- fastPreheat
- coolStart
- steamBoost - add for 3min intensive steam with a touch of a button.
- There are different steam intensities selectable: steam level high, steam level middle, steam level low
- LED illumination, Independent oven interior light button
- Water tank empty indicator
- Location of the steam generator is outside of the cavity
- Integral cooling fan
- HomeConnect ready on Wi-Fi

#### Accessory:

- Steam container, punched, size M, Steam container, unpunched, size M, grid, steam container, punched, size XL, universal pan

#### Environment and Safety:

- Low door temperature
- Triple glazed door with heat reflective glass glazed CoolTouch door
- Child lock
- Residual heat indicator Start-/Stop button Door contact switch

#### Technical Information

- Length of mains cable: 150 cm
- Nominal voltage: 220 - 240 V
- Total connected load electric: 3.3 KW

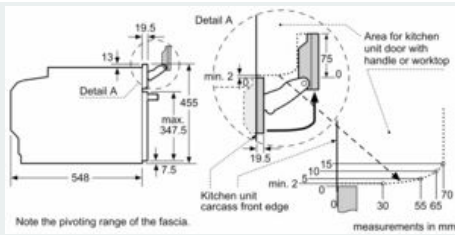
- Energy efficiency rating (acc. EU Nr. 65/2014): A+(at a range of energy efficiency classes from A+++ to D)
- Energy consumption per cycle in conventional mode: 0.73 kWh
- Energy consumption per cycle in fan-forced convection mode: 0.61 kWh
- Number of cavities: 1 Heat source: electrical Cavity volume: 47 l
- 

#### Dimensions:

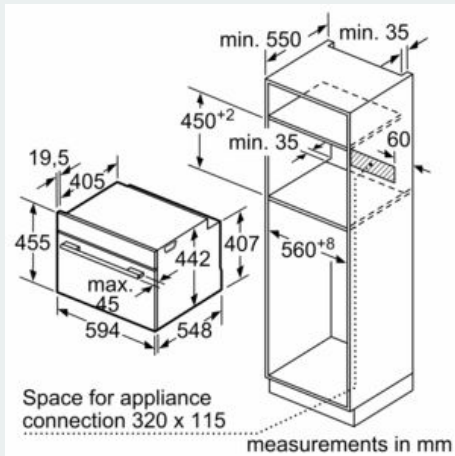
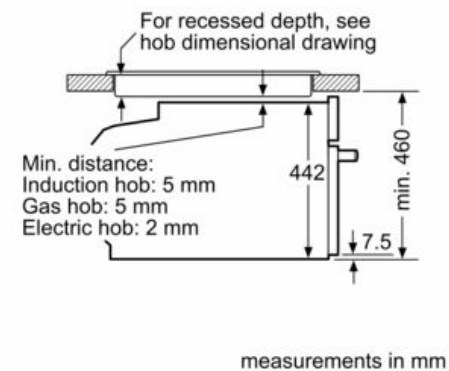
- Appliance dimension (hxwxh): 455 mm x 594 mm x 548 mm
- Niche dimension (hxwxh): 450 mm - 455 mm x 560 mm - 568 mm x 550 mm
- "Please reference the built-in dimensions provided in the installation drawing"

## iQ700, Built-in compact oven with steam function, 60 x 45 cm, Black CS736G1B1

### Dimensioned drawings



### Installation with a hob.



If the compact appliance will be installed underneath a hob, the following worktop thicknesses (including substructure if necessary) must be taken into account.

Hob type	min. worktop thickness	
	fitted	flush
Induction hob	42 mm	43 mm
Full surface Induction hob	52 mm	53 mm
Gas hob	32 mm	43 mm
Electric hob	32 mm	35 mm

