

## iQ500, Built-in oven with added steam function, Black HR478G5B6S



Shorten your cooking time thanks to fast preheat, coolStart and activeClean®. And remote your oven from anywhere with Home Connect.

- ✓ Reach the required baking temperature sooner - fastPreheat. No need to preheat the oven for deep frozen food - coolStart.
- ✓ The automatic system for effortless cleaning - activeClean®.
- ✓ Crispy crusts and juicy roasts – addedSteam.
- ✓ Access and control your oven, no matter where you are - Home Connect App (Android and iOS).
- ✓ Automatic programs ensure best results - cookControl30.
- ✓ Intuitive operation thanks to the illuminated knob - lightControl.
- ✓ Simply reliable roasting - Roasting sensor.
- ✓ Perfect baking results on up to 3 shelves thanks to innovative heat distribution - 3D hotAir Plus.
- ✓ Maximum flexibility thanks to easy mounting of the telescopic rails at any level - Vario clip rails.
- ✓ Gentle opening and closing of the oven door - Soft move.

### Features

#### Technical Data

Color / Material Front : Black  
 Built-in / Free-standing : Built-in  
 Integrated Cleaning system : Pyrolytic  
 Required niche size for installation (HxWxD) : 585-595 x 560-568 x 550  
 Dimensions of the product (mm) : 595 x 594 x 548  
 Dimensions of the packed product (HxWxD) (mm) : 675 x 690 x 660  
 Control Panel Material : Glass  
 Door Material : Glass  
 Net weight (kg) : 41.995  
 Usable volume of cavity (l) : 71  
 Cooking method : Conventional heat, Full width grill, Hot Air, Hot air grilling, Pizza setting  
 First cavity material : Other  
 Oven control : electronic  
 Number of interior lights : 1  
 Approval certificates : CE, VDE  
 Length electrical supply cord (cm) : 120  
 EAN code : 4242003856123  
 Number of cavities (2010/30/EC) : 1  
 Energy efficiency class (2010/30/EC) : A  
 Energy consumption per cycle conventional (2010/30/EC) : 0.99  
 Energy consumption per cycle forced air convection (2010/30/EC) : 0.81  
 Energy efficiency index (2010/30/EC) : 95.3  
 Connection Rating (W) : 3600  
 Current (A) : 16  
 Voltage (V) : 220-240  
 Frequency (Hz) : 50; 60  
 Plug type : Gardy plug w/ earthing, no plug

#### Included accessories

- 1 x baking tray
- 1 x combination grid
- 1 x universal pan

#### Optional accessories

HZ915003 : Glass roasting dish, 5,4 L, HZ66X650 : Cover Strip , HZ638300 : 3 level telescopic rails, full ext, HZ638200 : 2 level telescopic shelf rails, full ext, HZ636000 : Glass pan, HZ634000 : Baking and roasting grid (standard), HZ633070 : Professional pan, anthracite enamelled, HZ633001 : Lid for professional pan, enamelled anth, HZ625071 : Grill tray, anthracite enamelled, HZ538500 : 3level telescopic rails incl 1 varioClip, HZ538200 : 2 level telescopic shelf rails, HZ538000 : varioClip rail, HZ533000 : Professional pan, grey enamelled, HZ532010 : Universal pan, non-stick ceramic coated, HZ532000 : Multipurpose pan, grey enamelled, HZ531010 : Baking tray, non-stick ceramic coated, HZ531000 : Baking tray, grey enamelled, HZ333001 : Lid for professional pan, HZ327000 : Baking stone, HZ317000 : Pizza pan, grey enamelled



## iQ500, Built-in oven with added steam function, Black HR478G5B6S

### Features

#### Type of oven / heating system:

- Oven with 8 heating methods: 3D hotAir Plus, Conventional heat, hotAir grilling, Full width grill, Pizza setting, coolStart, hotAir gentle, Regeneration with steam
- Additional heating methods with steam: Regeneration with steam
- Heating modes combinable with steam function: 3D hotAir Plus, hotAir grilling, Conventional heat
- Temperature range 30 °C - 275 °C
- Cavity volume: 71 l

#### Hook-in racks / rails

- Number of shelf levels: 5 PC
- varioClip rail, with Stop function

#### Design:

- blackSteel Design
- lightControl: illuminated knob
- illuminated knob
- Cavity inner surface: Enamel grey

#### Cleaning:

- activeClean®
- Full glass inner door

#### Comfort:

- LCD Display (white)
- electronic clock
- automatic start Optical temperature control
- cookControl 30
- Additional functions: descaling programme
- softMove for gentle opening and closing of the oven door, Drop down door
- Bar handle
- Supporting systems: Programs
- roastingSensor
- Rapid heating-up
- coolStart
- Halogen interior lighting
- Water tank with a volume of 220ml
- Location of the steam generator is outside of the cavity
- Integral cooling fan
- HomeConnect ready on Wi-Fi

#### Accessory:

- baking tray, combination grid, universal pan

#### Environment and Safety:

- Very low door temperature
- Low door temperature during pyrolytic cleaning
- Automatic door lock during pyrolysis Mechanical safety locking device Child lock Automatic safety switch off Residual heat indicator Door contact switch

#### Technical Information

- Length of mains cable: 120 cm
- Nominal voltage: 220 - 240 V
- Total connected load electric: 3.6 KW
- Energy efficiency rating (acc. EU Nr. 65/2014): A (at a range of energy efficiency classes from A+++ to D) Energy consumption per cycle in conventional mode: 0.99 kWh Energy consumption per

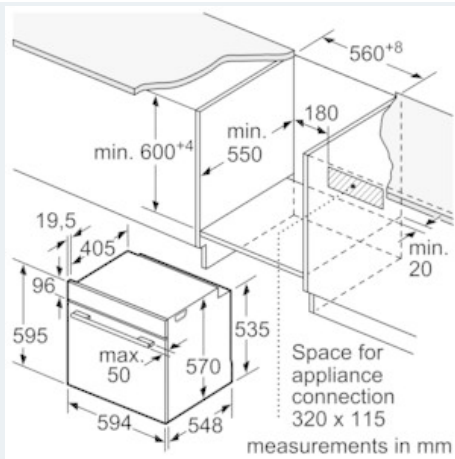
cycle in fan-forced convection mode: 0.81 kWh Number of cavities: 1 Heat source: electrical Cavity volume: 71 l

#### Dimensions:

- Appliance dimension (hxwxh): 595 mm x 594 mm x 548 mm
- Niche dimension (hxwxh): 585 mm - 595 mm x 560 mm - 568 mm x 550 mm
- "Please reference the built-in dimensions provided in the installation drawing"
- We recommend you to choose complementary products within iQ500, in order to assure an optimal design combination of your Built-In appliances.

**iQ500, Built-in oven with added steam function, Black  
HR478G5B6S**

Dimensioned drawings



Installation with a hob.

