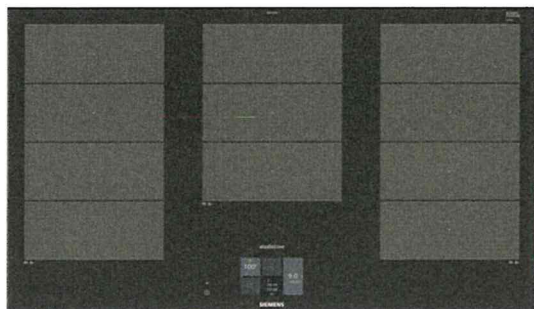


iQ700, Flex induction hob, 90 cm, Black EX977KXX5E



Accessori integrati

- 1 x adjustment strip 750 - 780 mm
- 1 x wireless temperature sensor for cooktop

Accessori opzionali

HZ9SE030 : Set of 2 pots and 1 pan, HZ9LP200 : Pot Ø 18 (bottom) / 20 cm (top), HZ9LP160 : Pot Ø 14 (bottom) / 16 cm (top), HZ9CF260 : Pan Ø 22 / 26 cm, HZ394301 : Connecting strip, HZ390522 : Griddle Plate, HZ390512 : Teppan Yaki (large), HZ39050 : Wireless temperature sensor for cooktop, HZ390230 : System pan diameter 21cm, HZ390220 : System pan diameter 19 cm, HZ390210 : System pan diameter 15 cm, HZ390090 : Wok Set consisting of 3 Items, HZ390012 : Steaming Rack for Stainless Steel roaste, HZ390011 : Stainless Steel roaster with glas lid

The modern flexInduction cooktop - for greater flexibility when cooking.

- ✓ Always the optimal cooking zone for your cookware: flexInduction
- ✓ For easy#operation and good readability from any perspective - TFT Touchdisplay.
- ✓ Home Connect: Information about your cooktop, no matter where you are via smartphone or tablet.
- ✓ Precisely maintaining the chosen temperature to avoid overboiling – cookingSensor Plus.
- ✓ Maintains the desired pan temperature automatically after heating up to avoid scorching – fryingSensor Plus.

Caratteristiche

Dati tecnici

Product name/family : Cooking zone ceramic
 Construction type : Built-in
 Energy input : Electric
 Total number of positions that can be used at the same time : 5
 Required niche size for installation (HxWxD) : 51 x 880-880 x 490-500
 Width of the appliance : 912
 Dimensions : 51 x 912 x 520
 Dimensions of the packed product (HxWxD) (mm) : 126 x 1073 x 608
 Net weight (kg) : 22.125
 Gross weight (kg) : 24.0
 Residual heat indicator : Separate
 Location of control panel : Hob front
 Color of surface : Black
 Approval certificates : AENOR, CE
 Length electrical supply cord (cm) : 110
 Sealed Burners : No
 heating with booster : All
 Power of 2nd heating element (kW) : 3.3
 Power of heating element (kW in boost) : [3.7]
 : 3.7
 Power of 6th heating element (kW in boost) : 3.7
 Connection Rating (W) : 11100
 Voltage (V) : 220-240
 Frequency (Hz) : 50; 60
 Main colour of product : Black
 Energy input : Electric
 Approval certificates : AENOR, CE
 Plug type : no plug
 Appliance Dimensions (h x w x d) (in) : + x x
 Dimensions of the packed product (in) : 4.96 x 23.93 x 42.26
 Net weight (lbs) : 49.000
 Gross weight (lbs) : 53.000
 Total number of positions that can be used at the same time : 5
 Length electrical supply cord (cm) : 110
 Required niche size for installation (HxWxD) : 51 x 880-880 x 490-500
 Dimensions : 51 x 912 x 520
 Dimensions of the packed product (HxWxD) (mm) : 126 x 1073 x 608
 Net weight (kg) : 22.125
 Gross weight (kg) : 24.0



4 242003 838167

iQ700, Flex induction hob, 90 cm, Black EX977KXX5E

Caratteristiche

Professional Equipment:

- FullTouch TFT Display
- fryingSensor with 5 frying levels
- cookingSensor Plus

Design:

- Metal trims on the sides, black design

Comfort:

- 5 Induction cooking zones
- 3 Flex Zones
-
- flexMotion
- powerMove Plus
- Meal assistant
- reStart Function
- quickStart Function
- Switch off timer for every cooking zone
- Timer
- Count-up timer
-
- Keep warm function for all cooking zones
- Home Connect (only in countries where Home Connect service is available)
- cookConnect system (with matching hood)

Environment+safety:

- Automatic pan recognition sensor
- powerManagement function
- Safety switch-off
- Childproof lock
- Wipe protection function
- quickStop
-
- Digital 2-step Residual heat indicator
- Main switch
- Energy consumption display

Quickness:

- PowerBoost function for all zones
-
- panBoost

Power and size:

- Cooking zones:
- 1 x 400 mmx240 mm, 3.3 KW (max. power 3.7 KW) Induction or 2 x 200 mm, 240 mm, 2.2 KW (max. power 3.7 KW) Induction;
- 1 x 300 mmx240 mm, 2.6 KW (max. power 3.7 KW) Induction;
- 1 x 400 mmx240 mm, 3.3 KW (max. power 3.7 KW) Induction or 2 x 200 mm, 240 mm, 2.2 KW (max. power 3.7 KW) Induction
-
- 17 power levels

Measurements:

- Dimensions of the product (HxWxD mm) : 51 x 912 x 520
- Required niche size for installation (HxWxD mm) : 51 x 880 x 490 - 500
- Min. worktop thickness: 16 mm
- Cable included
- Connection cable 110 cm

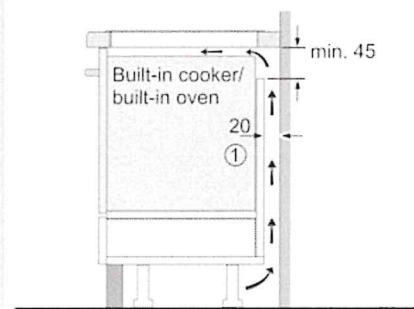
- Connected load: 11.1 KW

Accessories

- wireless temperature sensor for cooktop, adjustment strip 750 - 780 mm included.

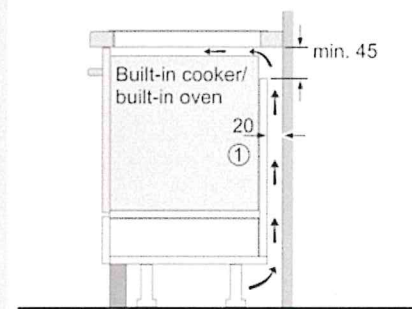
iQ700, Flex induction hob, 90 cm,
Black
EX977KXX5E

Disegni quotati



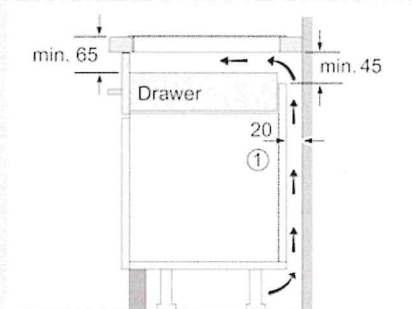
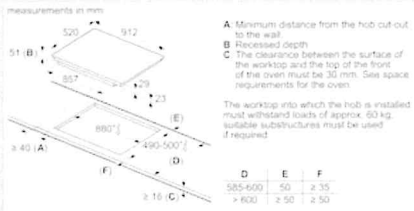
① Ventilation gap must be present

All measurements in mm



① Ventilation gap must be present

All measurements in mm



① Ventilation gap must be present.

Measurements in mm

