

## iQ700, Flex induction hob, 80 cm, Black EX878LYV5E



The modern flexInduction cooktop - for greater flexibility when cooking.

- ✓ Greater flexibility with the cooktop that adapts to your cookware and pots – flexInduction Plus.
- ✓ Select and join the cooking zones with one neatly arranged interface – Dual light slider.
- ✓ activeLight: Sleek blue light bars give you intuitive visual feedback on where heat is applied and the selected settings.
- ✓ Home Connect: Information about your cooktop, no matter where you are via smartphone or tablet.
- ✓ Maintains the desired pan temperature automatically after heating up to avoid scorching – fryingSensor Plus.

### Features

#### Technical Data

Product name/family : Cooking zone ceramic  
 Construction type : Built-in  
 Energy input : Electric  
 Total number of positions that can be used at the same time : 4  
 Required niche size for installation (HxWxD) : 51 x 750-780 x 490-500  
 Width of the appliance : 812  
 Dimensions : 51 x 812 x 520  
 Dimensions of the packed product (HxWxD) (mm) : 120 x 950 x 600  
 Net weight (kg) : 18.076  
 Gross weight (kg) : 19.7  
 Residual heat indicator : Separate  
 Location of control panel : Hob front  
 Basic surface material : Ceramic  
 Color of surface : Black  
 Approval certificates : AENOR, CE  
 Length electrical supply cord (cm) : 110  
 EAN code : 4242003860861  
 Electrical connection rating (W) : 7400  
 Voltage (V) : 220-240  
 Frequency (Hz) : 50; 60

#### Included accessories

1 x adjustment strip 750 - 780 mm

#### Optional accessories

HZ9SE030	Set of 2 pots and 1 pan
HZ394301	Connecting strip
HZ390522	Griddle Plate
HZ390512	Teppan Yaki (large)
HZ390220	System pan diameter 19 cm
HZ390090	Wok Set consisting of 3 Items



## iQ700, Flex induction hob, 80 cm, Black EX878LYV5E

### Features

#### Design:

- Metal trims on the sides, black design
- activeLight: Smart blue lighted LEDs illuminate dynamically the cooking zones matching your cooking scenario.: when off, hob is completely black; when switched on, light elements appear to indicate cooking zones and residual heat

#### Professional Equipment:

- Dual lightSlider touch control
- fryingSensor Plus with 5 temperature settings

#### Comfort:

- 4 Induction cooking zones
- flexInduction Plus
- flexMotion
- powerMove Plus
- Cooking zones will be automatically joined or separated based on the shape and size of the cookware placed.
- Switch off timer for every cooking zone
- Timer
- Count-up timer
- 
- reStart Function
- quickStart Function
- Keep warm function for all cooking zones
- Home Connect (only in countries where Home Connect service is available)
- cookConnect system (with matching hood)
- Energy consumption display

#### Environment+safety:

- Automatic pan recognition sensor
- powerManagement function
- Safety switch-off
- Childproof lock
- Wipe protection function
- 
- Digital 2-step Residual heat indicator
- Main switch

#### Quickness:

- PowerBoost function for all zones
- 
- panBoost

#### Power and size:

- Cooking zones:
- 1 x 400 mmx230 mm, 3.3 KW (max. power 3.7 KW) Induction or 2 x 200 mm, 230 mm, 2.2 KW (max. power 3.7 KW) Induction;
- 1 x 400 mmx230 mm, 3.3 KW (max. power 3.7 KW) Induction or 2 x 200 mm, 230 mm, 2.2 KW (max. power 3.7 KW) Induction
- 17 power levels

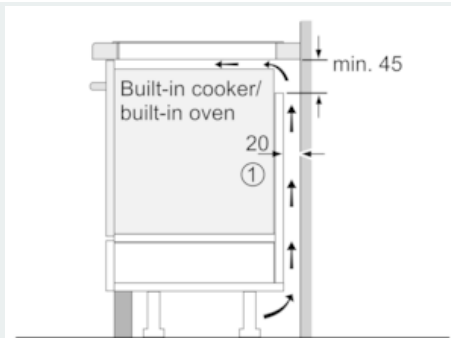
#### Measurements:

- Dimensions of the product (HxWxD mm) : 51 x 812 x 520
- Required niche size for installation (HxWxD mm) : 51 x 750 x 490 - 500
- Min. worktop thickness: 16 mm
- Cable included
- Connection cable 110 cm

- Connected load: 7.4 KW

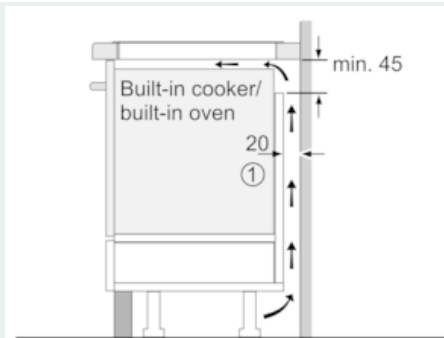
## iQ700, Flex induction hob, 80 cm, Black EX878LYV5E

### Dimensioned drawings



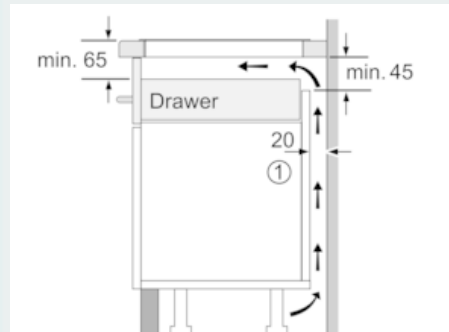
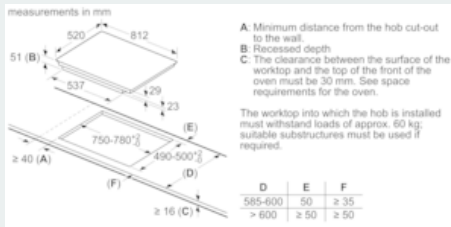
① Ventilation gap must be present

All measurements in mm



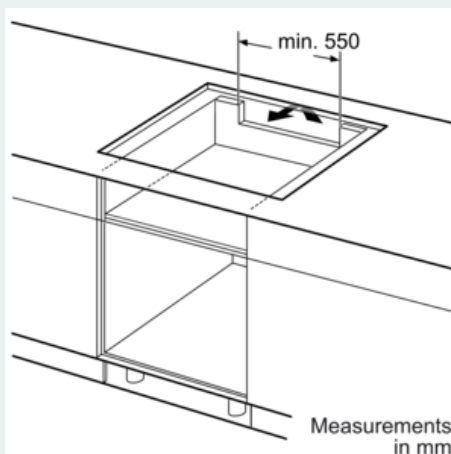
① Ventilation gap must be present

All measurements in mm



① Ventilation gap must be present.

Measurements in mm



Measurements in mm