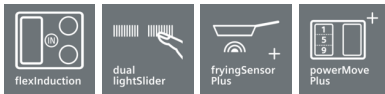


iQ700, Flex induction hob, 70 cm, Black EX775LEC1E



The modern flexInduction cooktop - for greater flexibility when cooking.

- ✓ Always the optimal cooking zone for your cookware: flexInduction
- ✓ Select and join the cooking zones with one neatly arranged interface – Dual light slider.
- ✓ Maintains the desired pan temperature automatically after heating up to avoid scorching – fryingSensor Plus.
- ✓ Adjust heat levels in three steps just by moving the cookware – powerMove Plus.
- ✓ Shorter heating times with up to 50% more power - powerBoost-function.

Features

Technical Data

Product name/family : Cooking zone ceramic
 Construction type : Built-in
 Energy input : Electric
 Total number of positions that can be used at the same time : 4
 Required niche size for installation (HxWxD) : 51 x 560-560 x 490-500
 Width of the appliance : 710
 Dimensions : 51 x 710 x 520
 Dimensions of the packed product (HxWxD) (mm) : 126 x 953 x 608
 Net weight (kg) : 14.440
 Gross weight (kg) : 15.8
 Residual heat indicator : Separate
 Location of control panel : Hob front
 Basic surface material : Ceramic
 Color of surface : Black
 Approval certificates : AENOR, CE
 Length electrical supply cord (cm) : 110
 EAN code : 4242003716908
 Electrical connection rating (W) : 7400
 Voltage (V) : 220-240
 Frequency (Hz) : 50; 60

Optional accessories

HZ9SE030	Set of 2 pots and 1 pan
HZ394301	Connecting strip
HZ390522	Griddle Plate
HZ390512	Teppan Yaki (large)
HZ390090	Wok Set consisting of 3 Items



iQ700, Flex induction hob, 70 cm, Black EX775LEC1E

Features

- 70 cm: space for 4 pots or pans.

Flexibility of cooking zones

- Flex zone: use cookware of any shape or size anywhere within the 40cm long zone.
- Cooking zone front left: 190 mm, 240 mm, 2.2 KW (max. power 3.7 KW)
- Cooking zone rear left: 230 mm, 190 mm, 2.2 KW (max. power 3.7 KW)
- Cooking zone rear right: 145 mm , 1.4 KW (max power 2.2 KW)
- Cooking zone front right: 210 mm, 2.2 KW (max. power 3.7 KW)

Usage convenience

- Dual lightSlider touch control: directly control the power on the two illuminated touch bars (invisible when switched off).
- 17 power levels: precisely adapt the heat with 17 power levels (9 main levels and 8 intermediate levels).
- Keep warm function for all cooking zones: keep dishes warm at preset low power level.
- Switch off timer for every cooking zone
- : switches off the cooking zone at the end of the time set (e.g. for boiled eggs).
- Count-down timer
- : an alarm sounds at the end of the time set (e.g. for pasta).
- Count-up timer
- : shows how much time has passed since starting the timer (e.g. for potatoes).

Time saving & efficiency

- powerBoost for all zones: boil water more quickly thanks to 50% more energy than at the highest standard level.
- panBoost: heat up pans more quickly than at the highest standard level while protecting the pan coating.
- powerMove Plus (3 levels): increase or decrease the power level simply by moving the pot forwards or backwards.
- quickStart Function: when switching on, the hob automatically selects the cooking zone with cookware (placed in off-mode).
- reStart Function: in case of unintentional switch-off, restore all previous settings by switching on the hob again within 4 seconds.

Cooking assistance

- fryingSensor Plus with 5 temperature settings: prevents scorching with the automatic temperature regulation of the integrated sensor.

Design

- Frame: finely bevelled glass in the front and metal trims applied on the sides.

Safety

- Residual heat indicator (2 stage): indicates which cooking zones are still hot or warm.
- Childproof lock: prevent unintended activation of the hob.
- Wipe protection function: wipe overboiled liquids without unintentionally changing settings (blocking all touch buttons for 30 seconds).
- Main switch: switch off all cooking zones at the touch of a button.
- Safety switch-off: for safety reasons, heating stops after a preset time without interaction (customizable).

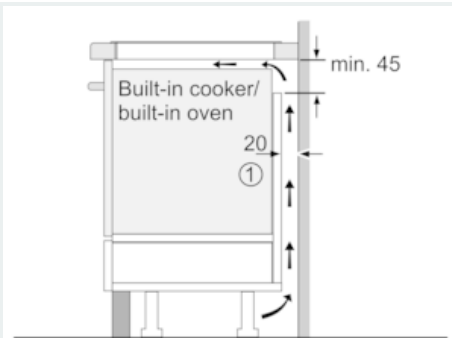
- Energy consumption display: shows the electricity consumption of the last cooking process.

Installation

- Dimensions of the product (HxWxD mm): 51 x 710 x 520
- Required niche size for installation (HxWxD mm) : 51 x 560 x (490 - 500)
- Min. worktop thickness: 16 mm
- Connected load: 7400 W
- powerManagement function: limit the maximum power if needed (depends on fuse protection of electric installation).
- Power cord: 1.1 m, loose insert in packaging

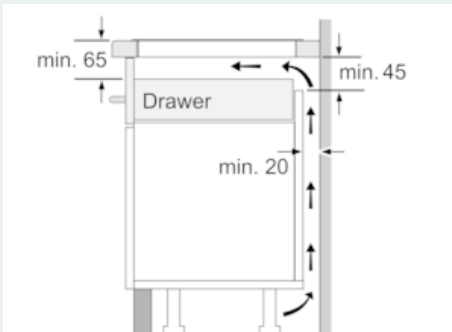
**iQ700, Flex induction hob, 70 cm,
Black
EX775LEC1E**

Dimensioned drawings

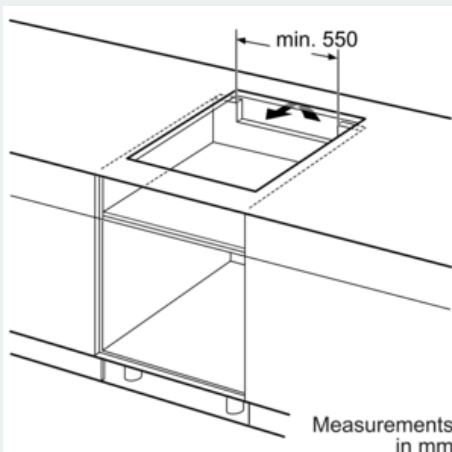


①
Ventilation gap must
be present

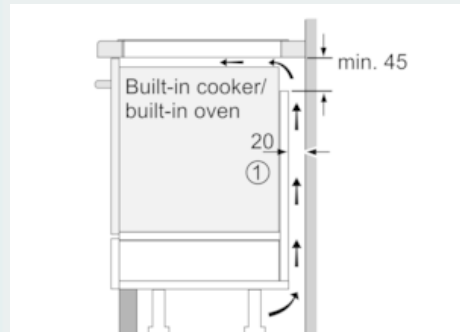
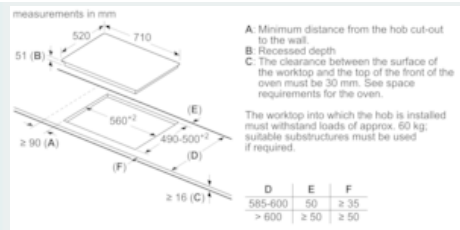
All measurements in mm



Measurements in mm



Measurements
in mm



①
Ventilation gap must
be present

All measurements in mm