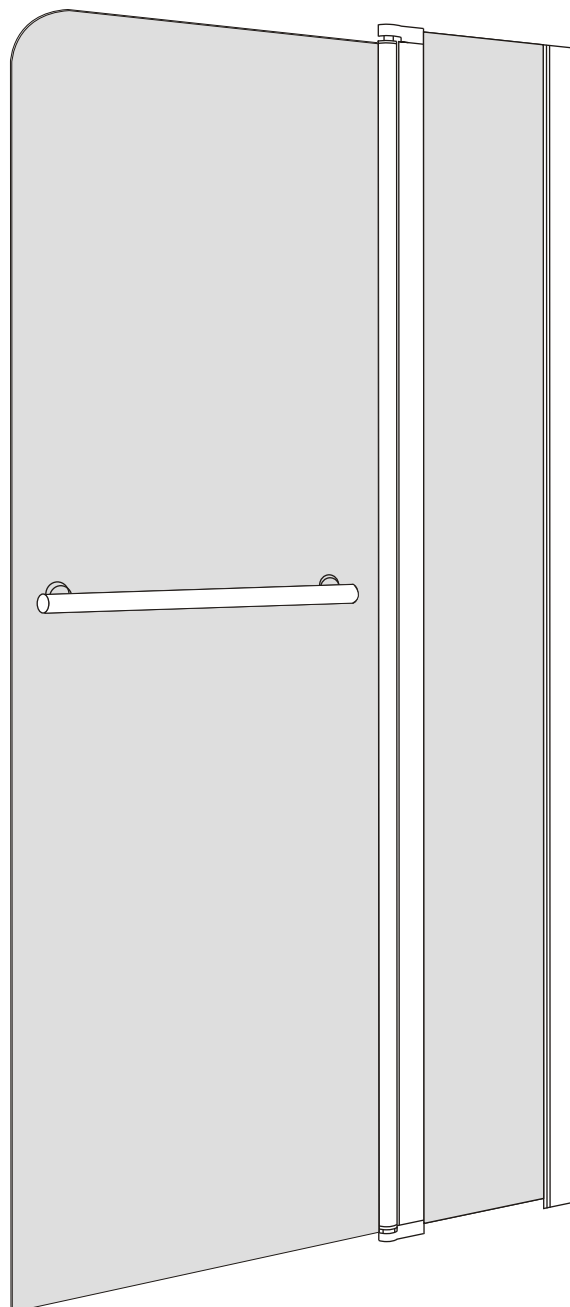


Installation instruction



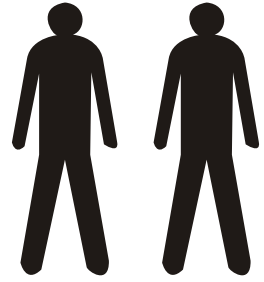
Installation instruction

Tools Required(not Supplied)

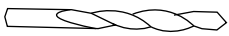
when you're ready to start,make sure that you have the following tools to hand,plenty of space and a clean dry area for assembly.

Two people are needed.

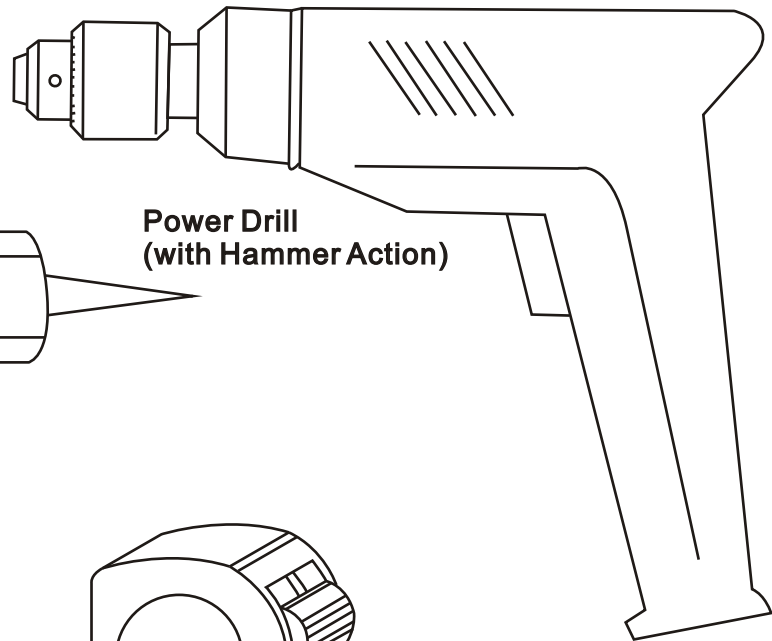
Please note:although these instructions are comprehensive,We always recommend that a technically competent installer should undertake installation.



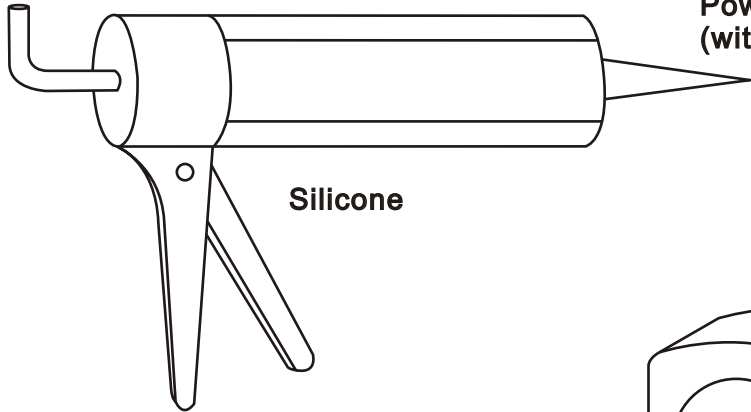
Drill Φ 5.5mm



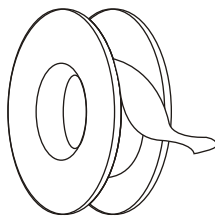
Drill Φ 3mm



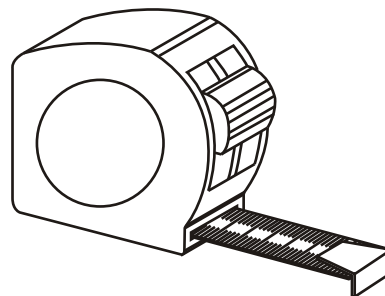
Power Drill
(with Hammer Action)



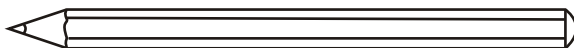
Silicone



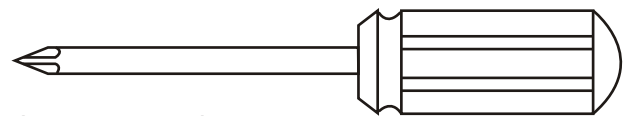
PTFE tape



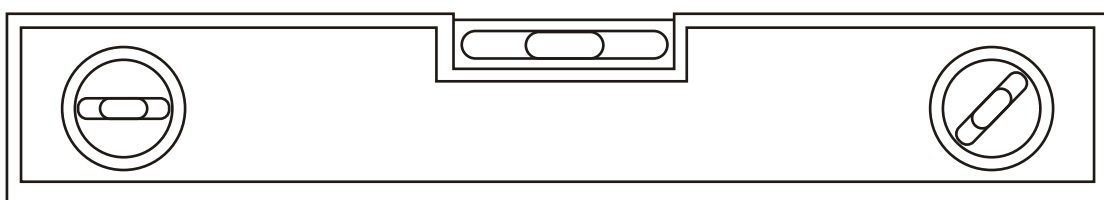
Tape measure



Pencil or Marker Pen







Cross-head Screwdriver

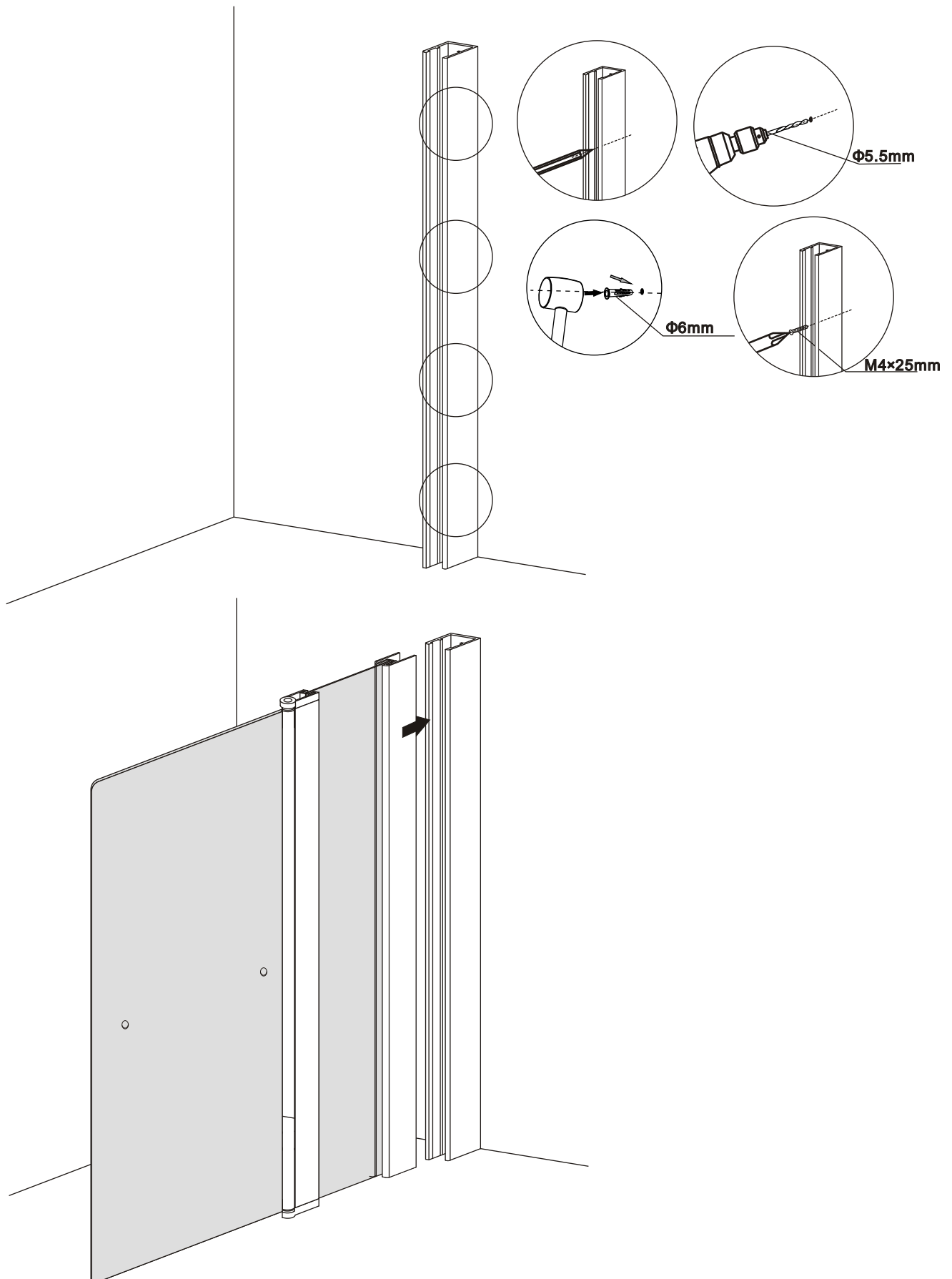


Spirit Level

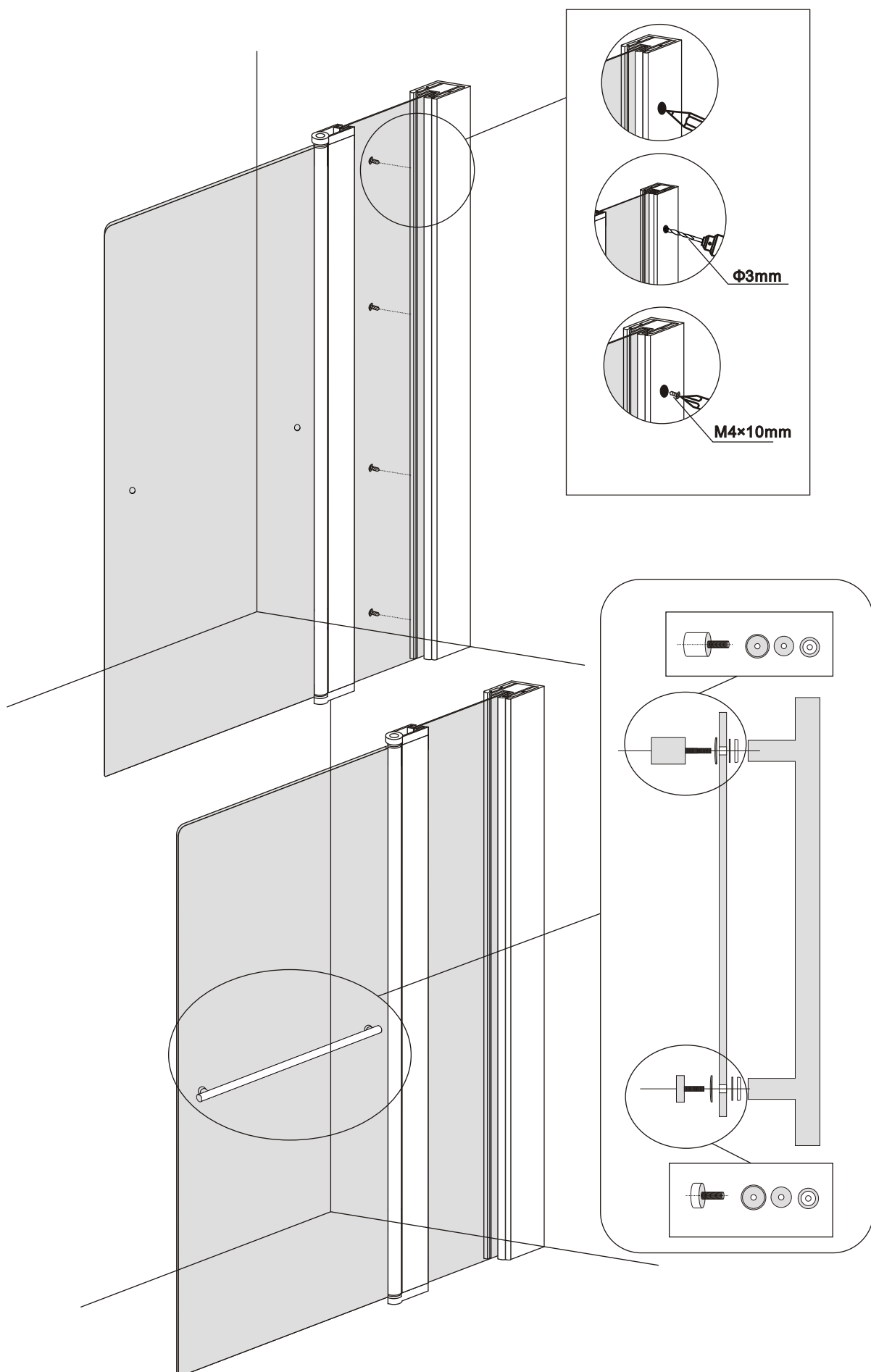
Installation instruction

Ref	Description	Illustration	Qty
A	Φ6mm wall plug		4
B	Screw:M4×25mm		4
C	Screw:M4×10mm		4
D	Handle		1

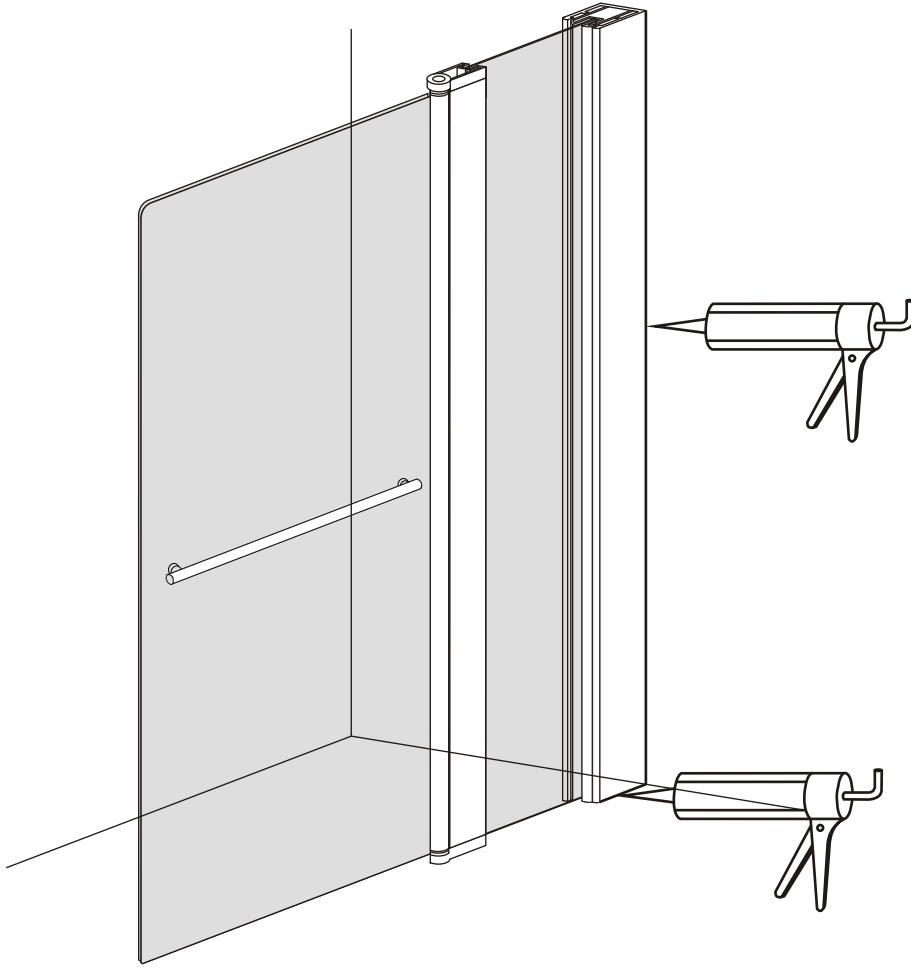
Installation instruction



Installation instruction



Installation instruction



Warning: Do not use the enclosure for 24 hours, to allow the silicone to dry completely.