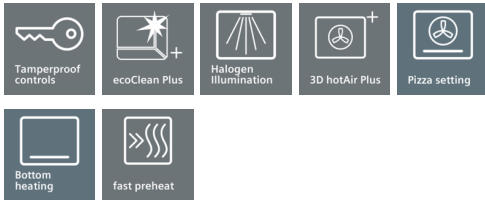


iQ300 Oven HB532ABR0, Stainless steel oven



Shorten your cooking time thanks to fast preheat.

- ✓ fast preheat: reach the required baking temperature sooner.
- ✓ ecoClean Plus: effortless cleaning thanks to a special coating of the rear wall that automatically absorbs grime.
- ✓ 3D hotAir plus: perfect baking results on up to 3 shelves thanks to innovative heat distribution.

Features

Technical Data

Color / Material Front : Stainless steel
 Built-in / Free-standing : Built-in
 Integrated Cleaning system : No
 Required niche size for installation (HxWxD) : 585-595 x 560-568 x 550
 Dimensions of the product (mm) : 595 x 594 x 548
 Dimensions of the packed product (HxWxD) (mm) : 675 x 690 x 660
 Control Panel Material : Glass
 Door Material : Glass
 Net weight (kg) : 41.8
 Usable volume of cavity (l) : 71
 Cooking method : Bottom heat, Conventional heat, Full width grill, HeiBluft sanft, Hot Air, Hot air grilling, Pizza setting
 First cavity material : Other
 Temperature control : No control of the temperature
 Number of interior lights : 1
 Approval certificates : CE, VDE
 Length electrical supply cord (cm) : 120
 EAN code : 4242003802793
 Number of cavities (2010/30/EC) : 1
 Energy efficiency class (2010/30/EC) : A
 Energy consumption per cycle conventional (2010/30/EC) : 0.97
 Energy consumption per cycle forced air convection (2010/30/EC) : 0.81
 Energy efficiency index (2010/30/EC) : 95.3
 Electrical connection rating (W) : 3600
 Current (A) : 16
 Voltage (V) : 220-240
 Frequency (Hz) : 60; 50
 Plug type : Gardy plug w/ earthing

UVP (DE)

HP (DE)



4 242003 802793

Included accessories

1 x combination grid, 1 x universal pan

Optional accessories

00471963 Pizza tray
 00463892 Baking stone

iQ300

Oven

HB532ABR0, Stainless steel oven

Features

Type of oven / heating system:

- Oven with 7 heating methods: 3D hotAir plus, Conventional heat, hotAir grilling, Full width grill, Pizza setting, Bottom heat, hotAir gentle
- Temperature range 50 °C - 275 °C
- Cavity volume: 71 l

Hook-in racks / rails

- Telescopic shelf rails as optional accessory

Design:

- round knobs
- Cavity inner surface: Enamel grey

Cleaning:

- ecoClean Plus coating: back panel
- Full glass inner door

Comfort:

- LED Display (red)
- electronic timer
- Bottom-hinge opening
- Rapid heating-up
- Halogen interior lighting
- Integral cooling fan
- Bar handle

Accessory:

- 1 x combination grid, 1 x universal pan

Environment and Safety:

- Low door temperature
- Child lock

Technical Info:

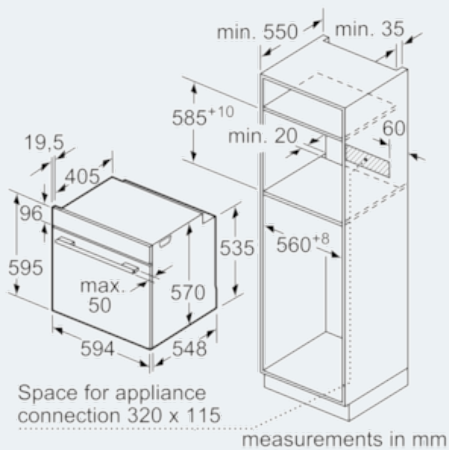
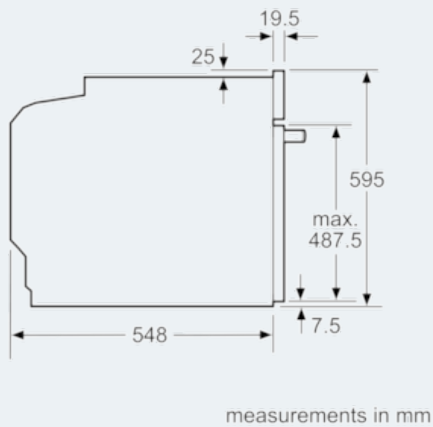
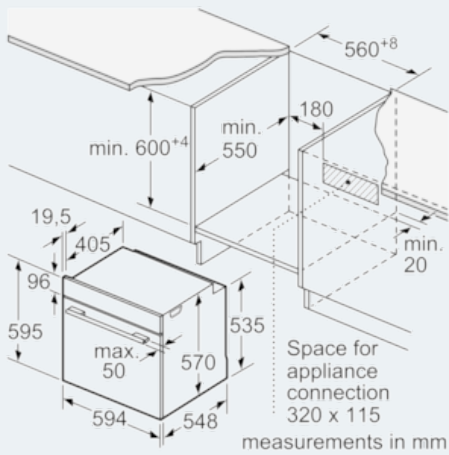
- Length of mains cable: 120 cm
- Nominal voltage: 220 - 240 V
- Total connected load electric: 3.6 KW
- Energy efficiency rating (acc. EU Nr. 65/2014): A (at a range of energy efficiency classes from A+++ to D)
Energy consumption per cycle in conventional mode: 0.97 kwh
Energy consumption per cycle in fan-forced convection mode: 0.81 kwh
- Number of cavities: 1
- Heat source: electrical
- Cavity volume: 71 l

Dimensions:

- Appliance dimension (hxwxd): 595 mm x 594 mm x 548 mm
- Niche dimension (hxwxd): 585 mm - 595 mm x 560 mm - 568 mm x 550 mm
- "Please reference the built-in dimensions provided in the installation drawing"

iQ300
Oven
HB532ABR0, Stainless steel
oven

Dimensioned drawings



Installation with a hob.

