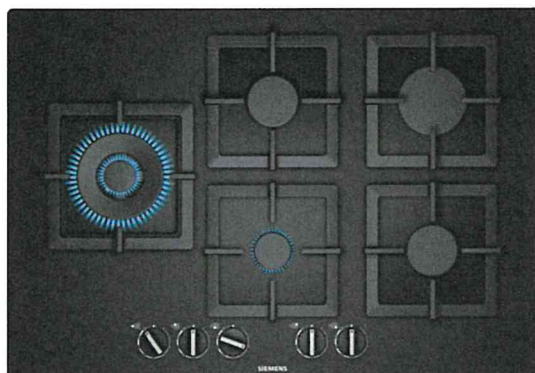


**iQ500**  
**EP7A6SB20**  
**75 cm, Gas hob with integrated**  
**controls, Hard Glass, Black**



**Accessori opzionali**

HZ298114	Small pot support
HZ298107	Wok ring
HZ298105	Simmer plate
HZ211310	Simmer cap

The gas hob with stepFlame Technology for precise flame control in nine steps.

- ✓ stepFlame Technology: precise heat control with nine different flame steps.
- ✓ This wok burner with up to 4.0 kW of power (depending on gas type) is ideal for a wide variety of foods, even in large quantities.
- ✓ Siemens top sheet design for a flush or slightly raised built-in solution.
- ✓ Extremely heat-resistant and easy to clean – the modern hard glass surface.
- ✓ High-quality materials and workmanship – individual cast-iron pan supports.

**Caratteristiche**

**Dati tecnici**

Product name/family : gas hob w integrated controls  
 Construction type : Built-in  
 Energy input : Gas  
 Total number of positions that can be used at the same time : 5  
 Required niche size for installation (HxWxD) : 45 x 610-612 x 480-492  
 Width of the product (mm) : 752  
 Dimensions of the product (mm) : 45 x 752 x 520  
 Dimensions of the packed product (HxWxD) (mm) : 145 x 793 x 597  
 Net weight (kg) : 18.027  
 Gross weight (kg) : 20.0  
 Residual heat indicator : without  
 Location of control panel : Hob front  
 Basic surface material : Hard Glass  
 Color of surface : Black  
 Color of frame : Black  
 Approval certificates : CE  
 Length electrical supply cord (cm) : 100  
 Knob Material : Plastic  
 Sealed Burners : No  
 Type of pan support : Elongated cast iron pan support  
 Electrical connection rating (W) : 1  
 Gas connection rating (W) : 11500  
 Current (A) : 3  
 Voltage (V) : 220-240  
 Frequency (Hz) : 50; 60  
 Main colour of product : Black  
 Energy input : Gas  
 Gas type : Nat gas H/E/(L) 20 (25) mbar  
 Alternative gas type : Liquid gas G30,31 28-30/37mbar  
 Approval certificates : CE  
 Plug type : no plug  
 Appliance Dimensions (h x w x d) (in) : + x x  
 Dimensions of the packed product (in) : 5.70 x 23.50 x 31.22  
 Net weight (lbs) : 40  
 Gross weight (lbs) : 43  
 Total number of positions that can be used at the same time : 5  
 Length electrical supply cord (cm) : 100  
 Required niche size for installation (HxWxD) : 45 x 610-612 x 480-492  
 Dimensions of the product (mm) : 45 x 752 x 520  
 Dimensions of the packed product (HxWxD) (mm) : 145 x 793 x 597  
 Net weight (kg) : 18.027  
 Gross weight (kg) : 20.0



4 242003 690512

**iQ500****EP7A6SB20****75 cm, Gas hob with integrated controls, Hard Glass, Black****Caratteristiche****Design:**

- Tempered glass hob Black
- Cast iron single pan supports
- For a flush or slightly raised built-in solution.

**Comfort:**

- stepFlame Technology
- Sword control knobs
- Easy to clean Tempered glass hob surface.
- 1-handed ignition via control knobs

**Power and size:**

- 5 Gas burners
- Wok Burner
- 1 rapid, 2 standard, 1 economy, 1 Dual Wok burner
- Right rear: Rapid burner up to 3 KW (depending on gas type)
- Left: Wok burner up to 4 KW (depending on gas type)
- Center rear: Standard burner up to 1.75 KW (depending on gas type)
- Center front: Economy burner up to 1 KW (depending on gas type)
- Right front: Standard burner up to 1.75 KW (depending on gas type)

**Environment+safety:**

- Preset of natural gas (20mbar)
- Flame failure safety device

**Accessories**

- Liquid gas nozzles (28-30/37mbar) included

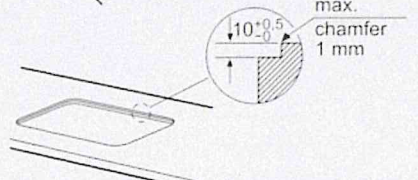
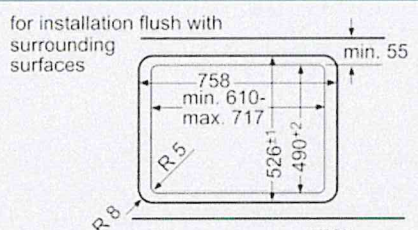
**Measurements:**

- Power cord length 1m

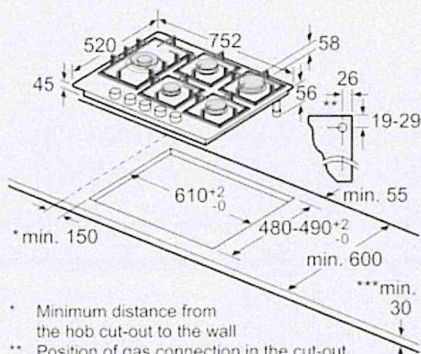


**iQ500**  
**EP7A6SB20**  
**75 cm, Gas hob with integrated**  
**controls, Hard Glass, Black**

Disegni quotati



Measurements in mm



- \* Minimum distance from the hob cut-out to the wall
- \*\* Position of gas connection in the cut-out
- \*\*\* With fitted oven underneath, possibly more; see space requirements for the oven

measurements in mm