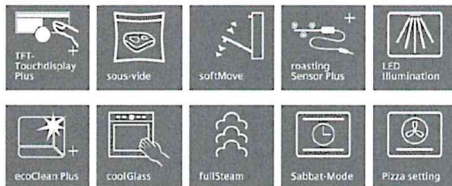


## iQ700 Compact steam oven CS858GRB7, Black



### Accessori integrati

1 x steam container, punched, size S, 1 x steam container, punched, size XL, 1 x steam container, unpunched, size S, 1 x grid, 1 x sponge, 1 x universal pan

### Accessori opzionali

HZG0AS00 : Connecting cable 3m , HZ915003 : Glass roasting dish, 5,4 L , HZ6HCC0 : Cookbook , HZ6BMA00 : Assembly kit for vertical installation , HZ66X650 : Cover Strip , HZ66X600 : Decor list , HZ66D920 : Vacuum bags 240 x 350 mm, 100 pcs. , HZ66D910 : Vacuum bags 180 x 280mm, 100 pcs. , HZ664000 : Baking and roasting grid (steam) , HZ636000 : Glass pan , HZ632070 : Multipurpose pan, anthracite enamelled , HZ632010 : Universal pan, non-stick coated , HZ631070 : Baking tray, anthracite enamelled , HZ631010 : Baking tray, non-stick coated , HZ625071 : Grill tray, anthracite enamelled , HZ617000 : Pizza pan, anthracite enamelled , HZ36D663G : Steam container, punched size XL , HZ36D613G : Steam container, punched, size S , HZ36D613 : Steam container, unpunched, size S , HZ36D533P : porcelain tray-GN2/3- unpunched , HZ36D513P : porcelain tray-GN1/3- unpunched , HZ327000 : Baking stone

Shorten your cooking time thanks to fast preheat. And remote your oven from anywhere with Home Connect.

- ✓ fastPreheat: reach the required baking temperature sooner.
- ✓ ecoClean Plus: effortless cleaning thanks to a special coating.
- ✓ The steam function: Easily prepare healthy and tasty meals and create outstanding flavour experiences with Sous-vide cooking.
- ✓ TFT Touchdisplay Plus: optimum readability and intuitive operation.
- ✓ Home Connect: access to your oven via smartphone or tablet.

### Caratteristiche

#### Dati tecnici

Color / Material Front : Black  
 Built-in / Free-standing : Built-in  
 Door opening : Drop down  
 Required niche size for installation (HxWxD) : 450-455 x 560-568 x 550  
 Dimensions of the product (mm) : 455 x 594 x 548  
 Dimensions of the packed product (HxWxD) (mm) : 540 x 650 x 690  
 Control Panel Material : Glass  
 Door Material : Glass  
 Net weight (kg) : 36.240  
 Approval certificates : CE, VDE  
 Length electrical supply cord (cm) : 150  
 Cooking method : , 4D hot air, Bottom heat, Conventional heat, Deep-frozen food special, Defrost, Dehydrate, fermentation, Full width grill, Half width grill, Hot Air-Eco, Hot air grilling, Intensive heat, low temperature cooking, Pizza setting, pre-heating, Regeneration, Sous-vide cooking, Steam 100%, warming  
 Time-setting Options : Start and Stop  
 Current (A) : 16  
 Voltage (V) : 220-240  
 Frequency (Hz) : 50; 60  
 Plug type : Gardy plug w/ earthing  
 Approval certificates : CE, VDE  
 Color / Material Front : Black  
 Energy input : Electric  
 Current (A) : 16  
 Voltage (V) : 220-240  
 Frequency (Hz) : 50; 60  
 Approval certificates : CE, VDE  
 Plug type : Gardy plug w/ earthing  
 Net weight (lbs) : 80.000  
 Gross weight (lbs) : 85



## iQ700

### Compact steam oven

### CS858GRB7, Black

#### Caratteristiche

##### Type of oven / heating system:

- Compact steam oven with 15 heating methods: 4D hot air, Hotair eco,, Conventional heat, Conventional heat ECO, hotAir grilling, Full width grill, Half width grill, Pizza setting, coolStart, Bottom heat, Intensive heat, Soft steaming, Plate warming setting, Dehydrate, Hold warm setting, LED illumination, Independent oven interior light button
- Additional heating methods with steam: Steam, Regeneration with steam, Fermentation with steam, Defrost with steam, Sous-vide cooking
- Temperature range 30 °C - 250 °C
- Cavity volume: 47 l

##### Design:

- blackSteel Design
- Rotary Control
- Cavity inner surface: Enamel anthracite

##### Cleaning:

- ecoClean Plus: coating of back panel, ceiling, side liners
- ecoClean program
- Innerdoor main: Full glass inner door

##### Comfort:

- 5,7"-TFT-color and graphics display with direct touch function
- Temperature proposal
- Actual temperature display
- heating-up control
- Sabbath setting
- Additional functions:
- Descaling programme
- autom. boiling point detection
- Drying function
- softMove for gentle opening and closing of the oven door
- Supporting systems: Dish categories
- multipoint temperature probe
- baking sensor
- electronic clock
- Rapid heating-up
- LED illumination, Independent oven interior light button
- Water tank with 1 l
- Water tank empty indicator
- Location of the steam generator is outside of the cavity
- Integral cooling fan
- Stainless-steel fan
- Info button
- Bar handle
- HomeConnect ready on WLAN

##### Hook-in racks / rails

- Cavity with shelf support rails, 1 level telescopic shelf, full extension, with Stop function

##### Accessory:

- 1 x steam container, punched, size S, 1 x steam container, punched, size XL, 1 x steam container, unpunched, size S, 1 x grid, 1 x sponge, 1 x universal pan

##### Environment and Safety:

- Low door temperature

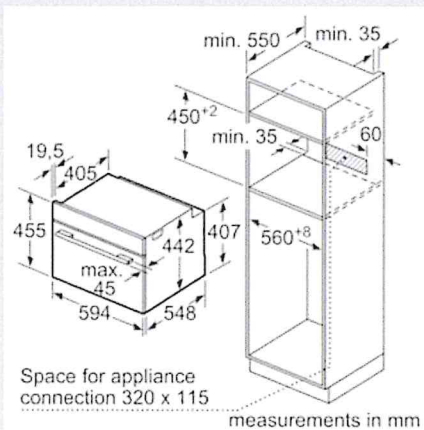
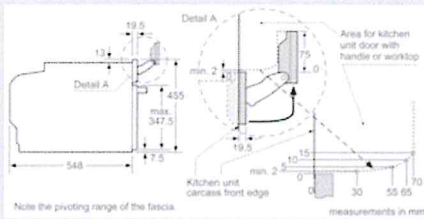
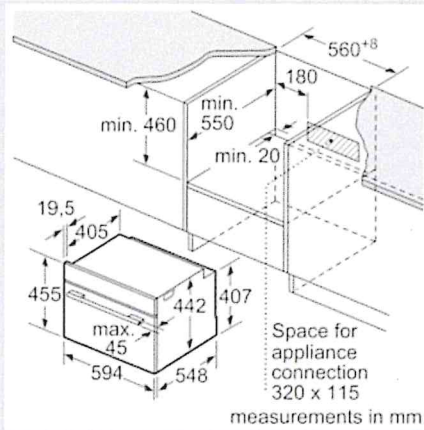
- Child lock
- Automatic safety switch off
- Residual heat indicator
- Start-/Stop button
- door contact switch

##### Technical Info:

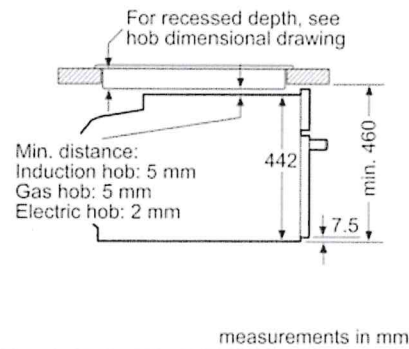
- Length of mains cable: 150 cm
- Total connected load electric: 3.3 KW
- Appliance dimension (hxwx): 455 mm x 594 mm x 548 mm
- Niche dimension (hxwx): 450 mm - 455 mm x 560 mm - 568 mm x 550 mm
- "Please reference the built-in dimensions provided in the installation drawing"
- Energy efficiency rating (acc. EU Nr. 65/2014): A+ (at a range of energy efficiency classes from A+++ to D)
- Energy consumption per cycle in conventional mode: 0.73 kwh
- Energy consumption per cycle in fan-forced convection mode: 0.61 kwh
- Number of cavities: 1 Heat source: electrical Cavity volume: 47 l

**iQ700**  
**Compact steam oven**  
**CS858GRB7, Black**

Disegni quotati



Installation with a hob.



If the compact appliance will be installed underneath a hob, the following worktop thicknesses (including substructure if necessary) must be taken into account.

Hob type	min. worktop thickness	
	fitted	flush
Induction hob	42 mm	43 mm
Full surface Induction hob	52 mm	53 mm
Gas hob	32 mm	43 mm
Electric hob	32 mm	35 mm